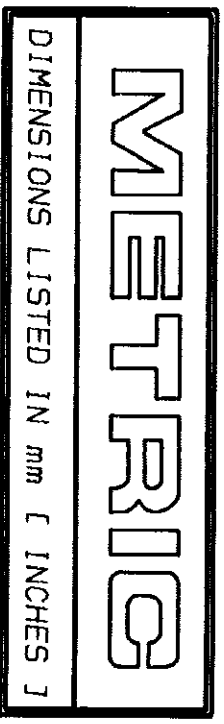
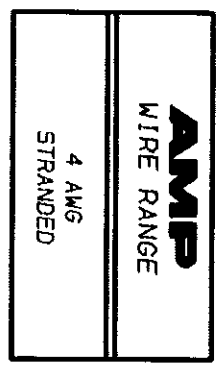
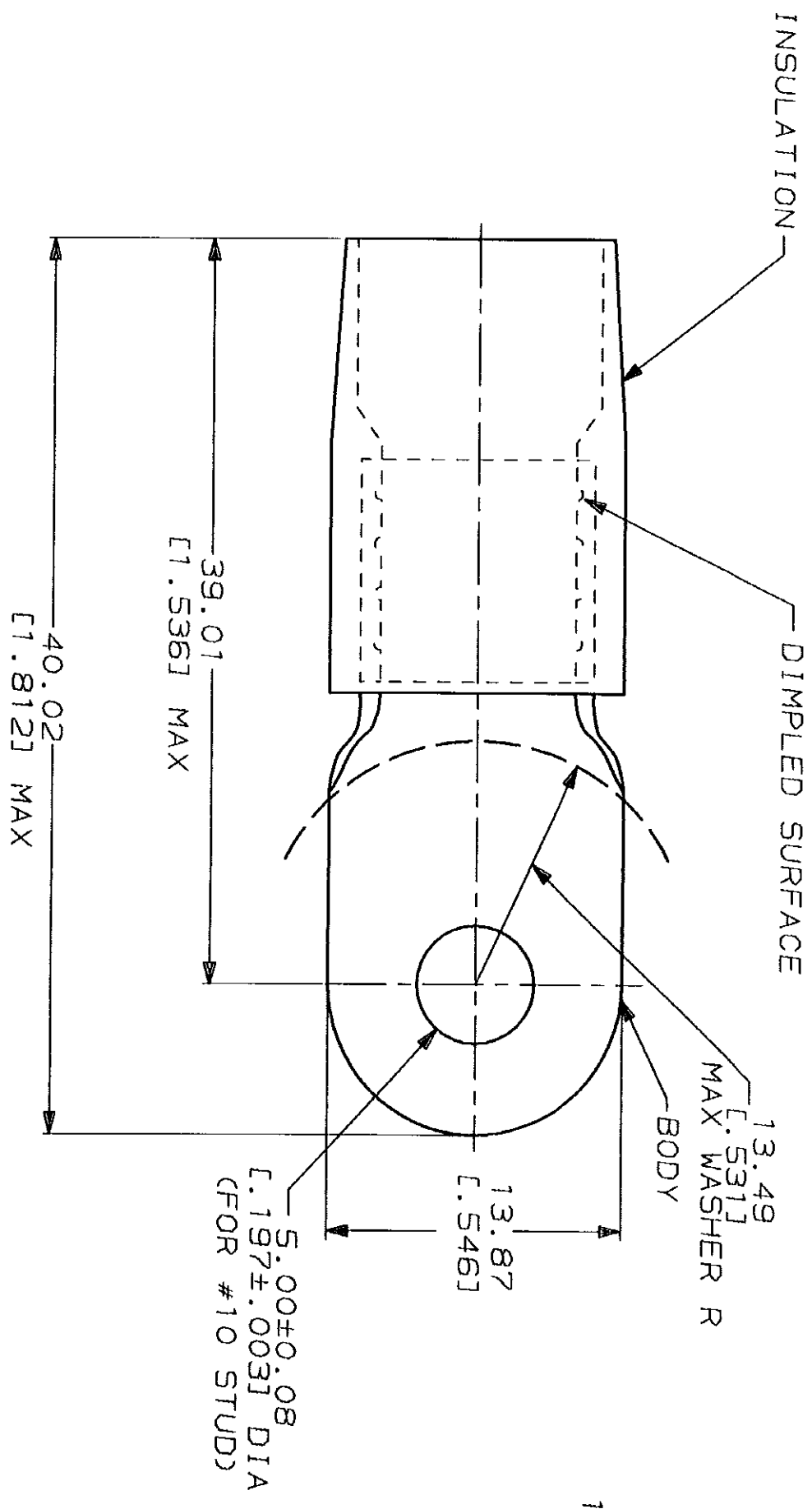


THIS DRAWING IS UNPUBLISHED. RELEASED FOR PUBLICATION BY AMP INCORPORATED. ALL INTERNATIONAL RIGHTS RESERVED. 19

LOC	DIST	P	F	ZONE	LTR	DESCRIPTION	DATE	APPD
G	14					EC 0720-0279-93	6-21-93	SS ⁶ BB



1. TONGUE MATERIAL THK 1.22±0.08[.048±.003] FOR 9.70[.382] MAX WIRE INS DIA



**AMP INCORPORATED
CUSTOMER SERVICE SYSTEMS**

FOR ADDITIONAL PRODUCT INFORMATION OR COPIES OF DRAWINGS AND TECHNICAL DOCUMENTS
 1-800-522-6752
 PRODUCT INFORMATION CENTER

FOR APPLICATION TOOLING ASSISTANCE CENTER
 1-800-722-1111

FOR ORDER ENTRY
 1-800-526-5142

MAX RECOMMENDED OPERATING TEMPERATURE:
105°C

VOLTAGE RATING:
-

CIRCULAR MIL AREA:
16.9-26.7mm² [33, 100-52, 600] STRANDED

THIS DRAWING IS A CONTROLLED DOCUMENT FOR AMP INCORPORATED. IT IS SUBJECT TO CHANGE AND THE CONTROLLING ENGINEERING ORGANIZATION SHOULD BE CONTACTED FOR THE LATEST REVISION.

DO NOT SCALE PRINT. UNLESS SPECIFIED OTHERWISE, DIMENSIONS IN INCHES. TOLERANCES ON:
 2 PLC DEC ± 0.20[.008]
 3 PLC DEC ± . -
 ANGLES ± -

MATERIAL: COPPER PER ASTM B-152 NYLON (MIL-M-20693) TYPE 1 COLOR: YELLOW
 FINISH: TIN PLATE PER MIL-T-10727

DR	QTY
6-21-93 S.S. SULLDEN	-
6-21-93 R. HERSEY	
6-21-93 B. BARE	
6-21-93 M. ELLIS	

LOOSE PC 324111
 PACKAGE TYPE PART NO

AMP AMP Incorporated
 Harrisburg, PA 17105-3608

TERMINAL, RING TONGUE, TERMINYL WIRE SIZE: 4 AWG

SIZE	CAGE CODE	DRAWING NO	SCALE
B	00779	G=324111	NTS